

URW345CX Mini-Crawler

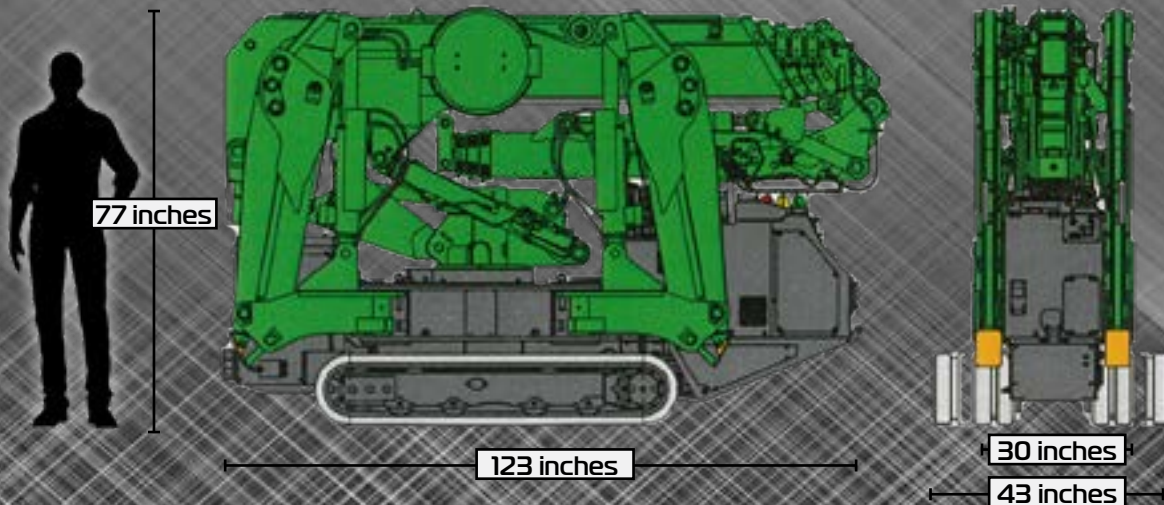
Pick-&-Carry
Capable

Lithium-Ion
Powerplant

57-Ft
Jib Tip
Height

39-Ft
Tip Height

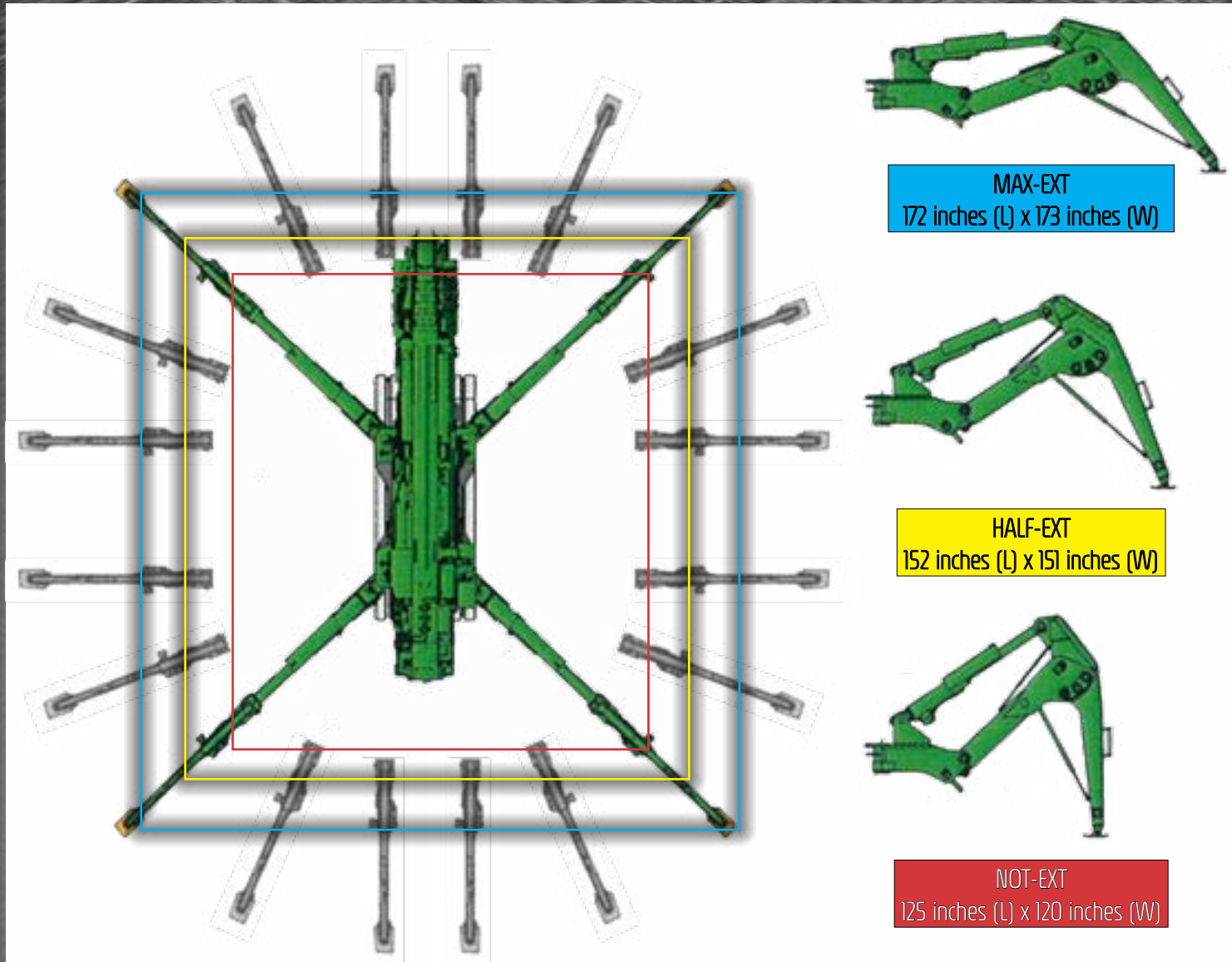
7,121 lbs
at 3.3 feet



URW345CX Mini-Crawler

SPYDERCRANE

Conform Your SPYDERCRANE's Outrigger Deployment to the workspace



MAX-EXT
172 inches (L) x 173 inches (W)

HALF-EXT
152 inches (L) x 151 inches (W)

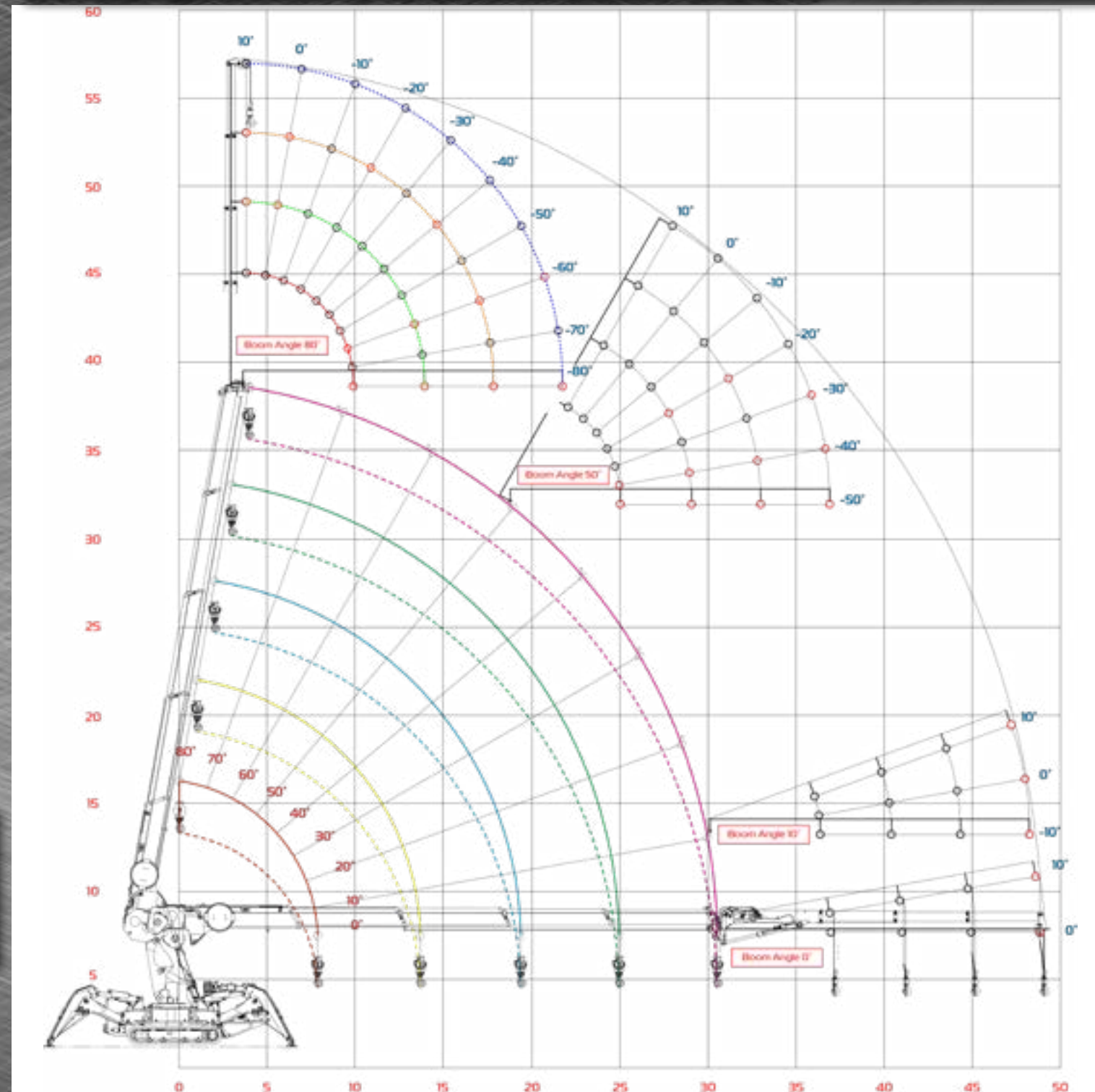
NOT-EXT
125 inches (L) x 120 inches (W)

INCLUDED ACCESSORIES	
Multiple Hook Blocks	4-Part Hook Block for maximum lifting capacity and 1-Part Hook Block for maximum lifting height/speed
Tool Kit	Selection of hand tools and included storage bag; everything needed to perform routine service and maintenance
Tilt Jib	Compatible with 1-Part Hook Block and Searcher Hook; recovers working radius lost at high boom angles
Remote Controller	RF-based handheld allows remote operation of outriggers and upperworks from up to 330 feet away

Pick-&-Carry Mode (Net-Rated)				
	Working Radius (feet)			
BOOM STAGE 1	3.3	4.9	6.6	8.7
	1102	1102	1102	595
BOOM STAGE 2	3.3	6.6	9.8	11.5
	1102	1102	419	198



LIFTING PERFORMANCE		
Maximum Capacity	7,121 lbs at 3.3 ft working range	
Working Range	Working Radius	3.3 ft - 32.2 ft (52 ft with Tilt Jib)
	Maximum Hook Height	approx. 36 ft (54 ft with Tilt Jib)



URW345CX Boom Color Key		
Line Color	Solid	Dash
Red	Boom Stage 1	Stage 1 Hook Height
Yellow	Boom Stage 2	Stage 2 Hook Height
Cyan	Boom Stage 3	Stage 3 Hook Height
Green	Boom Stage 4	Stage 4 Hook Height
Magenta	Boom Stage 5	Stage 5 Hook Height

URW345CX Jib Color Key	
Line Color	Dash
Red	Jib Stage 1
Green	Jib Stage 2
Orange	Jib Stage 3
Blue	Jib Stage 4

Jib Hook Block Key	
Circle Color	Hook Block
Red circle	Searcher Hook
Black circle	1-Part Hook

URW345CX Mini-Crawler

SPYDERCRANE

SPYDERCRANE

URW345CX Mini-Crawler

