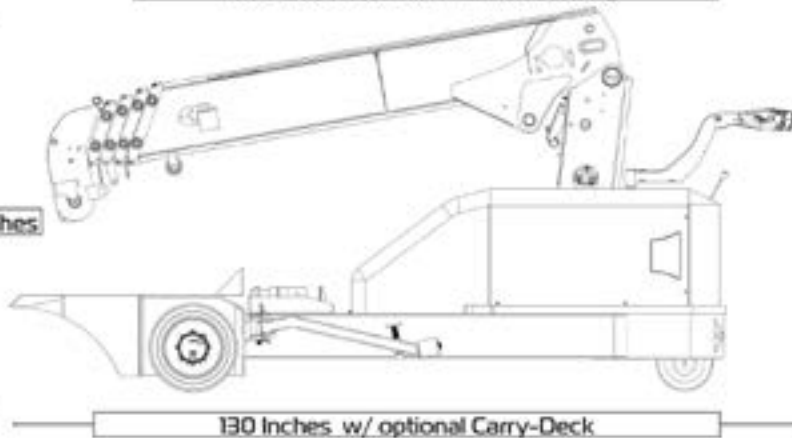
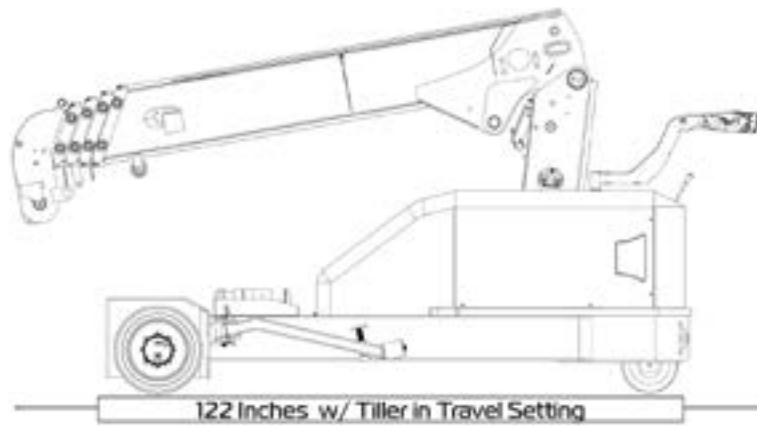


# PC295 Pick & Carry Crane

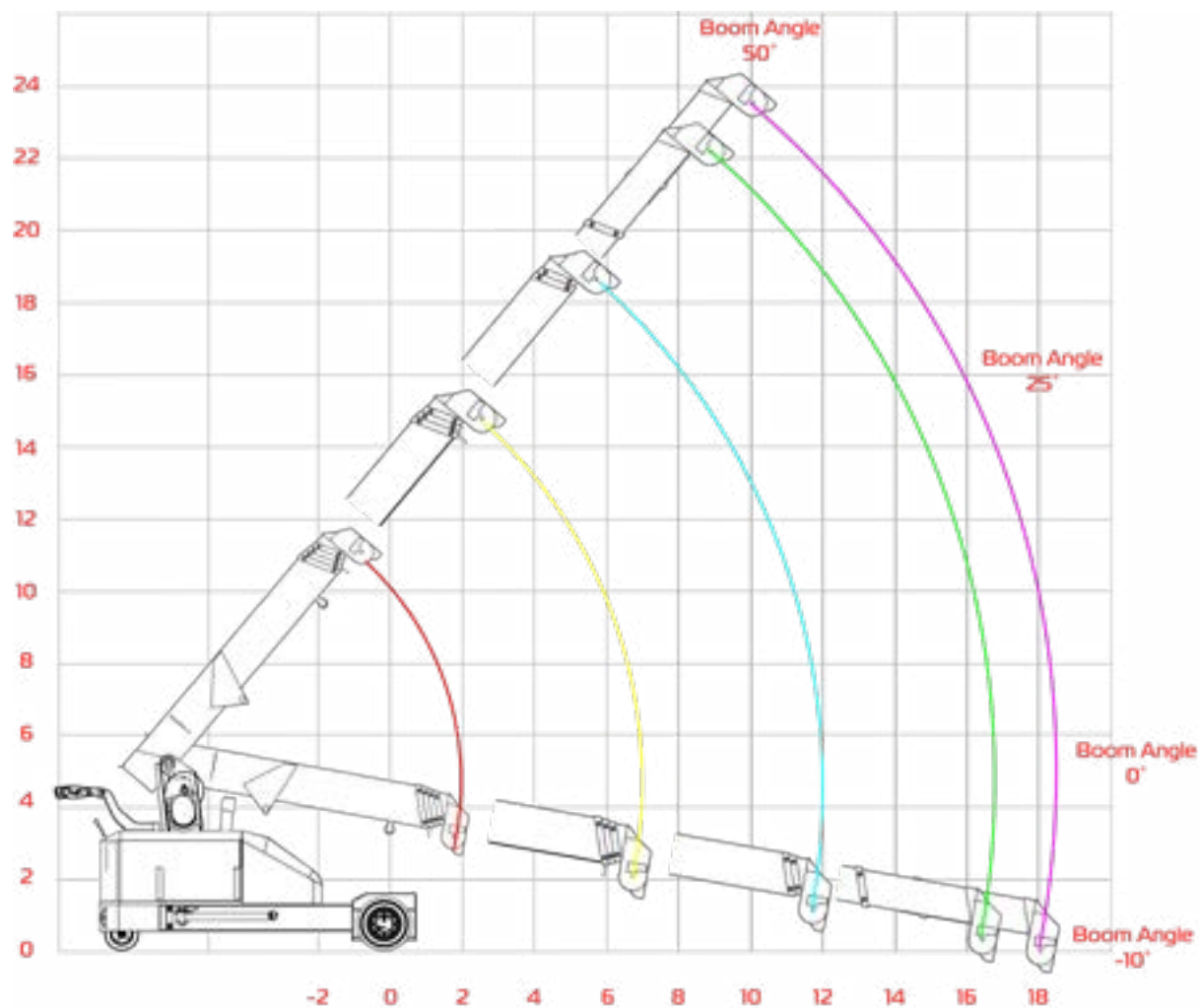
5,070 lbs  
Capacity at  
5-ft of  
Working  
Range



PC295 Pick & Carry Crane

SPYDERCRANE





**CRANE SPECIFICATIONS**

Maximum Rated Load	5,070 lbs at 5 feet
Maximum Working Radius	18.5 ft
Maximum Lifting Height	20 feet
Wire Rope	8mm (5/16") x 155 ft
Boom Length	8.3 ft - 28.4 ft
Maximum Boom Telescope Speed	20 feet in 20 seconds
Boom Structure	5-section telescoping, hexagonal-box construction

**TRAVEL SPECIFICATIONS**

Drive System	Hydraulic/Hydrostatic 2-speed, continuous-variable forward and reverse
Travel Speed	0 - 1.43 mph
Maximum Travel Angle Limit	20° fore-and-aft and 10° side-side
Ground Pressure (unloaded)	59 psi (front wheels), 134 psi (rear wheel)

**AVAILABLE POWER OPTIONS**

48V Battery/Electric	Allows for SPYDERCRANE use in zero-emissions and noise-sensitive environments; features a built-in battery pack for unplugged short-distance movement and un-plugged crane operations (up to 6 hours on a fully charged pack); recharges via common 110V/15A
----------------------	--

**SAFETY FEATURES & OPERATOR AIDS**

Anti-Two Block (A2B) & Minimum Wire Rope Safeties	Prevents structural damage from improper winch use
Hydraulic Cylinder Holding Valves	Prevents hydraulic cylinder collapse if power is lost
Emergency Stop Switch	Disables crane and outrigger functions, when pressed
Hook Safety Latches	Prevents attached loads from slipping off
Built-in Tie-Down/Tie-Back Brackets and Hoisting Rings	Fixed-chassis points for proper and safe tie-downs and hoisting lines
Safety Override Switches	Overrides failed-safe systems
Radio Remote Controller	Full-function (Crane and Travel Mode)
Audible and Visual Alert Systems	Audio-warning system and multi-color alert indicators

**PC295**

**Rated Load Chart**

	Stabilizer State	Working Range (in and ft)					
		-7"	5"	1'8"	2'5"		
<b>BOOM STAGE 1</b>	Stabilizers Out	5070	5070	4250	3920		
	Stabilizers Stored	1950	1735	1730	1215		
<b>BOOM STAGE 2</b>	Working Radius (ft)	2'5"	4'4"	5'6"	6'5"	6'10"	7'1"
	Stabilizers Out	3626	2518	1880	1568	1470	1410
<b>BOOM STAGE 3</b>	Stabilizers Stored	1207	1169	1055	887	874	650
	Working Radius (ft)	5'7"	7'4"	9'4"	10'7"	11'4"	11'6"
<b>BOOM STAGE 4</b>	Stabilizers Out	1840	1294	1040	886	790	790
	Stabilizers Stored	805	680	622	584	495	445
<b>BOOM STAGE 5</b>	Working Radius (ft)	10'2"	11'6"	12'11"	14'4"	16'11"	17'2"
	Stabilizers Out	700	682	637	596	487	415
Stabilizers must be OUT at Boom Stage 4							
<b>BOOM STAGE 5</b>	Working Radius (ft)	10'2"	12'9"	15'3"	15'11"	17'4"	18'8"
	Stabilizers Out	700	605	565	538	496	418
Stabilizers must be OUT at Boom Stage 4							



5326 W. Mohave St | Phoenix, AZ 85043

844.264.8994 | 602.442.4000

SmileyLiftingSolutions.com